

Simultaneously Induct and Disperse!

Built on a convenient mobile skid with a worktable, the explosion proof Fastfeed CX-XP is the ideal solution for inducting and dispersing your powder materials.

The Fastfeed system has an integrated hopper, liquid ring pump and our Dynashear® high speed, high shear mixer that ensures rapid incorporation and wetting out of even difficult powders.



Options:

- Fully outfitted for safe operation and suitable for use in Class 1, Div 1 hazardous environments / locations.
- XP control panel with motor Start/Stop and E-Stop located on mixer frame for ease of operation.
- Single and double mechanical seals compatible with a wide range of chemicals are available.
- Explosion proof motors
- Wand attachment for liquid additions

XP Control Panel

- ✓ Emergency Stop
- ✓ Dynashear on/off
- ✓ Pump on/off
- ✓ Light indicators



Ergonomic Design

Powder is fed into the hopper from bags at waist-height via the worktable or can be directly conveyed from your material handling system.

How the Fastfeed CX Works

The system operates on the simple principles of vacuum and high shear. The Fastfeed connects to your liquid source or recirculation tank. Assisted by the system's worktable, the operator pours powder or liquid materials into the hopper. Once the operator has flooded and energized the system, the induction begins. Powder is pulled from the hopper through the liquid ring pump at speeds up to 500 lbs./minute depending on model configuration and powder type. The powder and liquid pass through the Dynashear®, resulting in instantaneous fluidization and shearing.

Uniform, Effective Flow of Powder

Traditional powder flow problems such as bridging or rat-holing are minimized due to the vacuum within the flow stream, combined with a mechanical vibrator at the outlet of the hopper. Powder suction is continuous even as viscosity and solids level increase, protecting the system against plugging. Powder feed rates are easily adjustable through regulating valves that can be automated to ensure that the proper concentration of dry materials get added quickly and effectively. This process maximizes productivity, safety, and reduces air incorporation.

Complete Dispersion of Powders

The Fastfeed CX-XP will create a fully dispersed slurry in just minutes. The integrated high shear disperser will finish most applications with just one pass through. If desired, the Fastfeed can be configured on a recirculation loop for multiple passes through the Dynashear®. A single Fastfeed CX can also be used to feed multiple tanks.

The table below illustrates typical powder feed rates for our Fastfeed systems.

Fastfeed CX-XP Powder Feed Rates

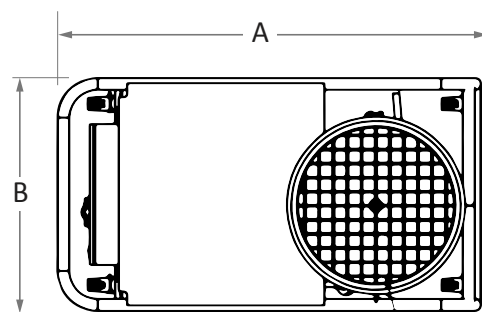
Ingredient	Powder Feed Rates (lb/minute)		Typical Max. Concentration
	FF-425	FF-575	
Granulated, High-density Materials	200	400	70%
Iron Oxide Pigments	90	135	35%
Fillers (i.e. clays or calcium carbonate)	110	165	45%
Thickeners	15	30	3.5%
Rheology Modifiers	15	30	3%

Model	Pump	Mixer	Hopper	Skid Fittings*
FF-425 CX-XP	7.5 HP at 1800 rpm	7.5 HP at 3600 rpm	3.4 cubic ft	2" inlet 2" outlet
FF-575 CX-XP	15 HP at 1800 rpm	20 HP at 3600 rpm	3.4 cubic ft	2.5" inlet 3" outlet

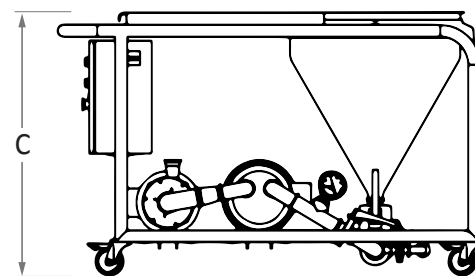
*fitting type determined at time of purchase

Model	A	B	C
FF-425 CX-XP	60"	33"	37"
FF-575 CX-XP	71"	45"	38"

Dimensions are in inches



Top View



Side View